

# Standard Product Price List

---

We also provide custom  
solutions on small or large runs

## NC-01 - Safety Screen Screw Fixed

Plan View

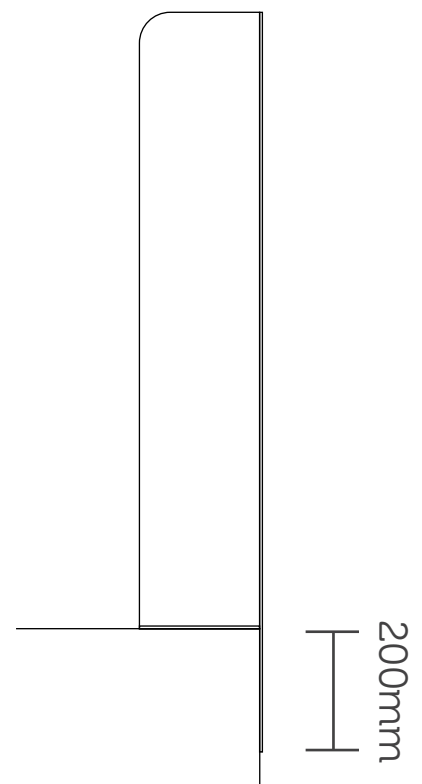
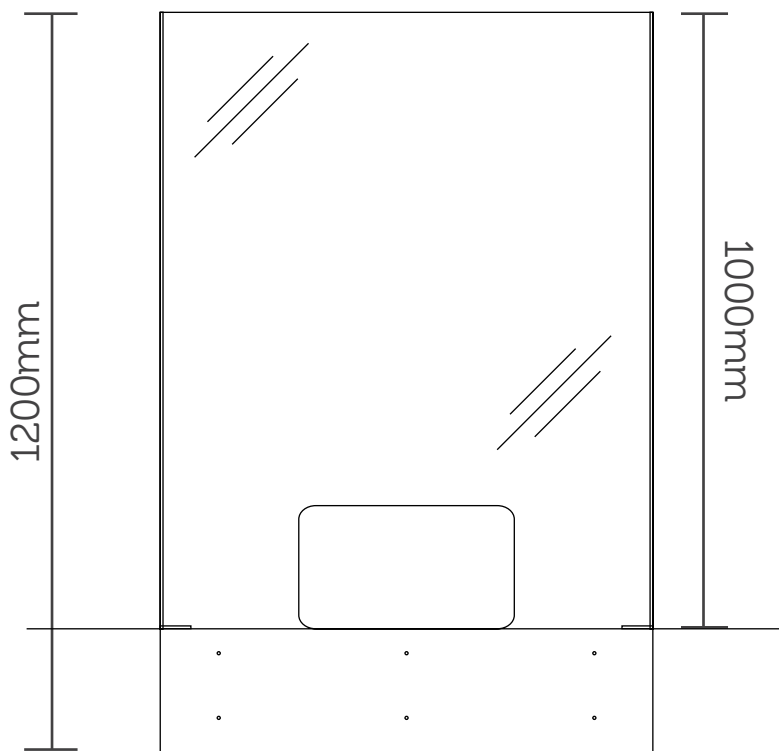


Front Elevation

800mm

Side Elevation

200mm



## NC-01 - Safety Screen Fixed

Size: 800mm (w) x 1200mm (h) (1200mm visible)

Material: Clear Acrylic

Fixing: Screw fix to counter face

1 - 15 units - \$465.00 per unit

15 - 50 units \$350.00 per unit

50+ units POA

\*Supply Only  
Prices Include Shipping

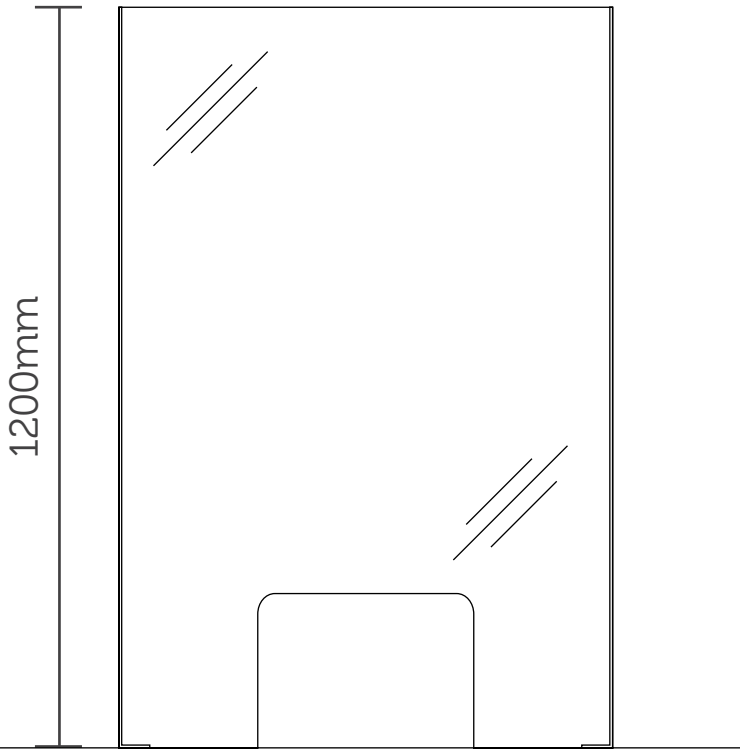
## NC-02 - Safety Screen Desk Mounted

Plan View



Front Elevation

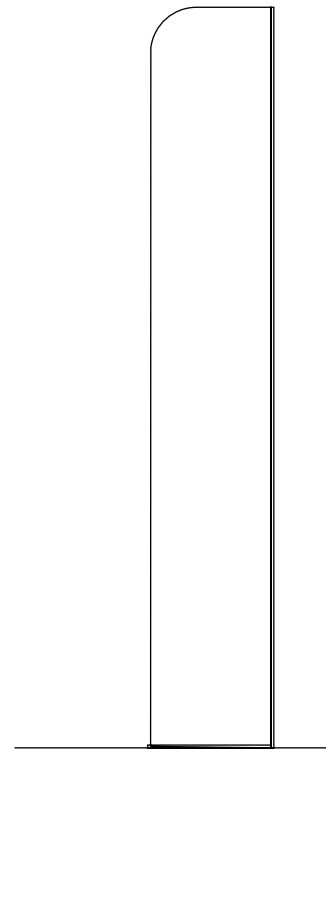
800mm



1200mm

Side Elevation

200mm



## NC-02 - Safety Screen Desk Mounted

Size: 800mm (w) x 1200mm (h)

Material: Clear Acrylic

Fixing: VHB Tape to counter face

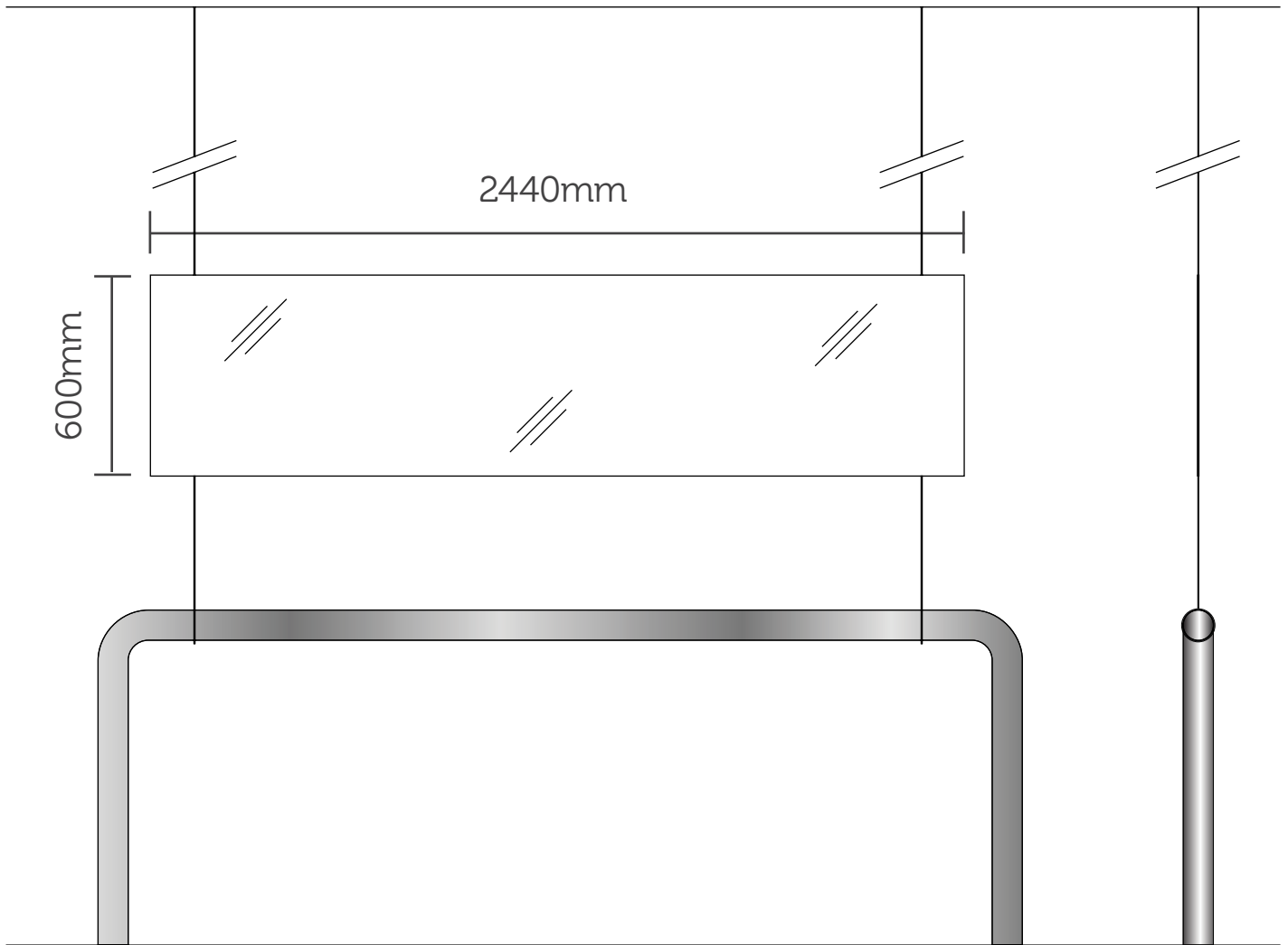
1 - 15 units - \$465.00 per unit

15 - 50 units \$350.00 per unit

50+ units POA

\*Supply Only  
Prices Include Shipping

## NC-03 - Safety Screen Customer Separation



\*Based on fitting to existing unit

### NC-03 - Safety Screen | Partial Cover Fixed to Existing Bumper Rail

Size: 2440mm (w) x 600mm (h)

Material: Clear Acrylic

Fixing: Fixed using steel cable system and connected around bumper rail

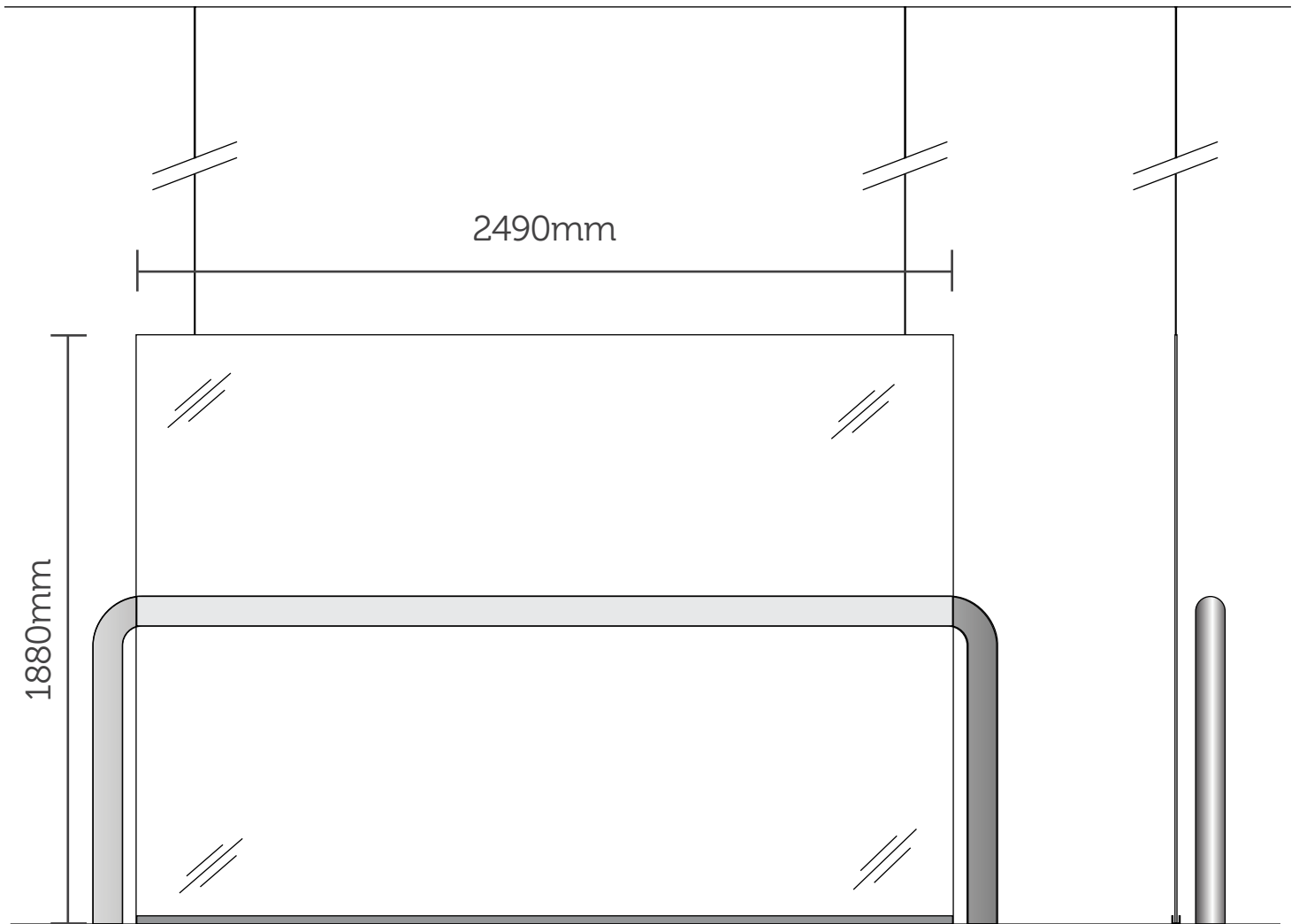
1 - 15 units - \$620.00 per unit

15 - 50 units \$560.00 per unit

50+ units POA

\*Supply Only  
Prices Exclude Shipping

## NC-04 - Safety Screen Customer Separation



### NC-04 - Safety Screen | Full Cover Fixed to Floor Rail

Size: 2490mm (w) x 1880mm (h)

Material: Clear Acrylic

Fixing: Fixed using steel cable system and connecting to 'U' channel fixed to floor

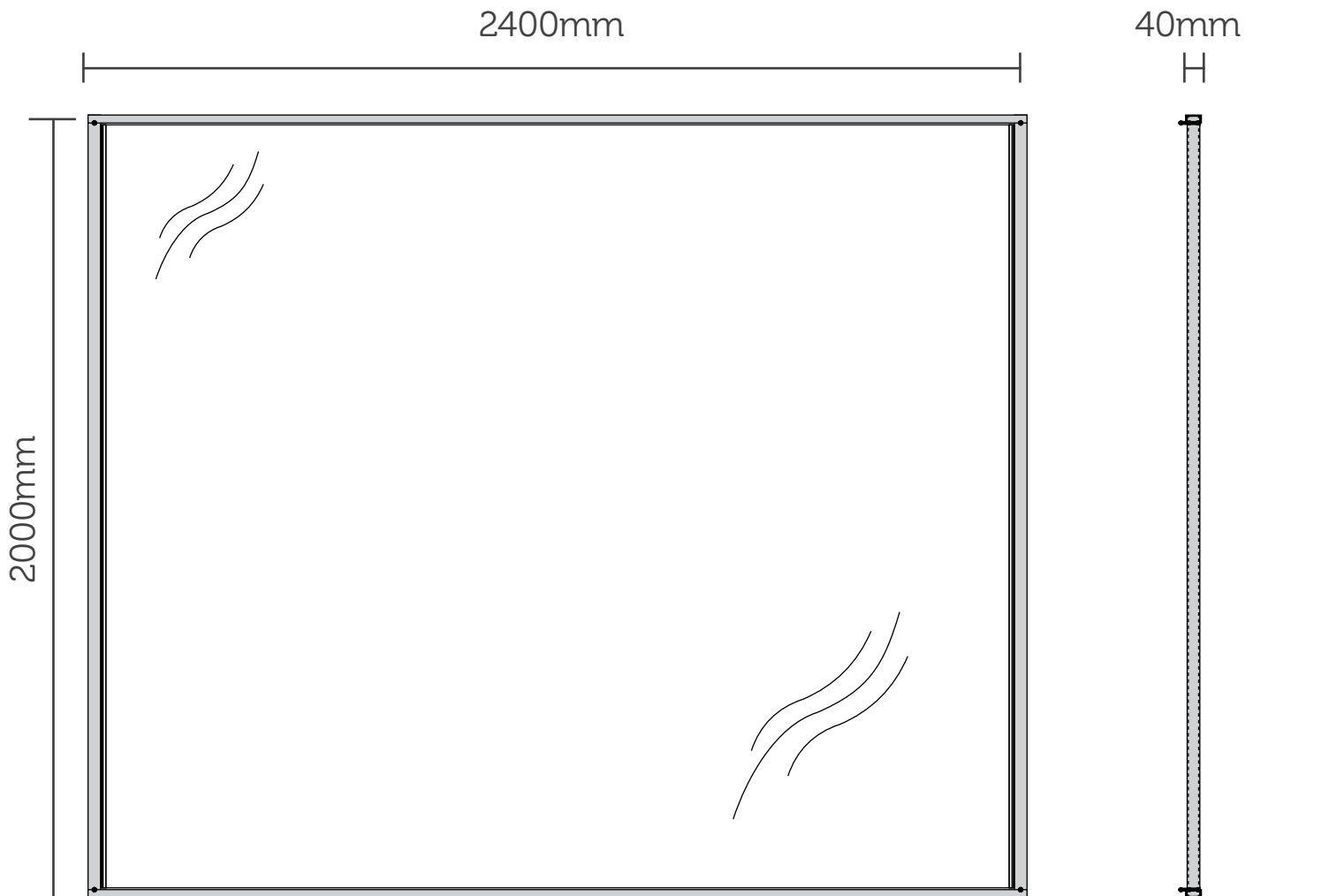
1 - 15 units - \$730.00 per unit

15 - 50 units \$680.00 per unit

50+ units POA

\*Supply Only  
Prices Exclude Shipping

## NC-05 - Safety Screen Modular Aluminium / PVC Safety Screen



### NC-05 - Safety Screen | Modular Safety Screen

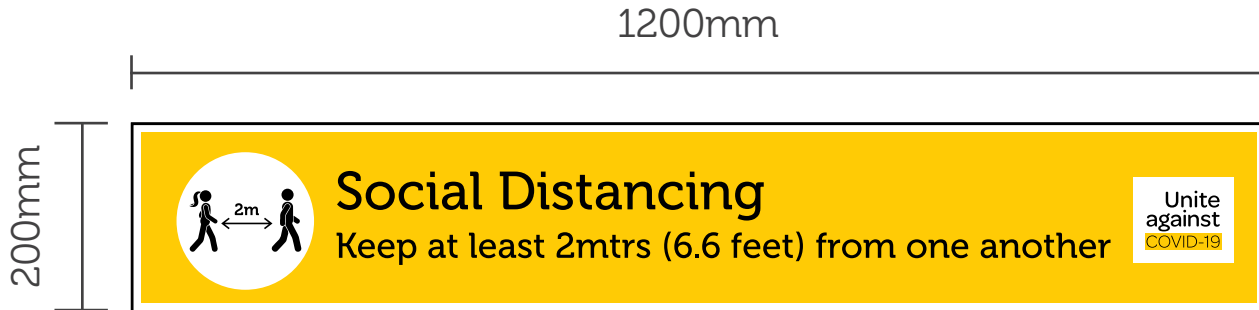
Size: 2400mm (w) x 2000mm (h)  
Material: Anodised Aluminium / PVC  
Fixing: Mechanical Fixings

1 - 15 units - \$980.00 per unit

\*Bespoke Options available please contact office 09 579 5250

\*Supply Only  
Prices Exclude Shipping

## NC-06 A-B-C - Safety Floor Graphics Anti Slip Floor Film



NC-06 A



NC-06 B

NC-06 C

\*Supply Only  
Prices Excludes shipping

### NC-06A - Safety Sticker

Size: 1200mm (w) x 200mm (h)  
Material: Anti Slip Floor Film

Application:

Indoor - \$2700  
Carpet - \$55.00  
External (Asphalt) - \$90.00

### NC-06B - Safety Sticker

Size: 300mm Dia.  
Material: Anti Slip Floor Film

Application:

Indoor - \$24.00  
Carpet - \$55.00  
External (Asphalt) - \$96.00

### NC-06C - Safety Sticker

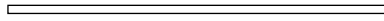
Size: 600mm Dia.  
Material: Anti Slip Floor Film

Application:

Indoor - \$41.50  
Carpet - \$85.00  
External (Asphalt) - \$140.00

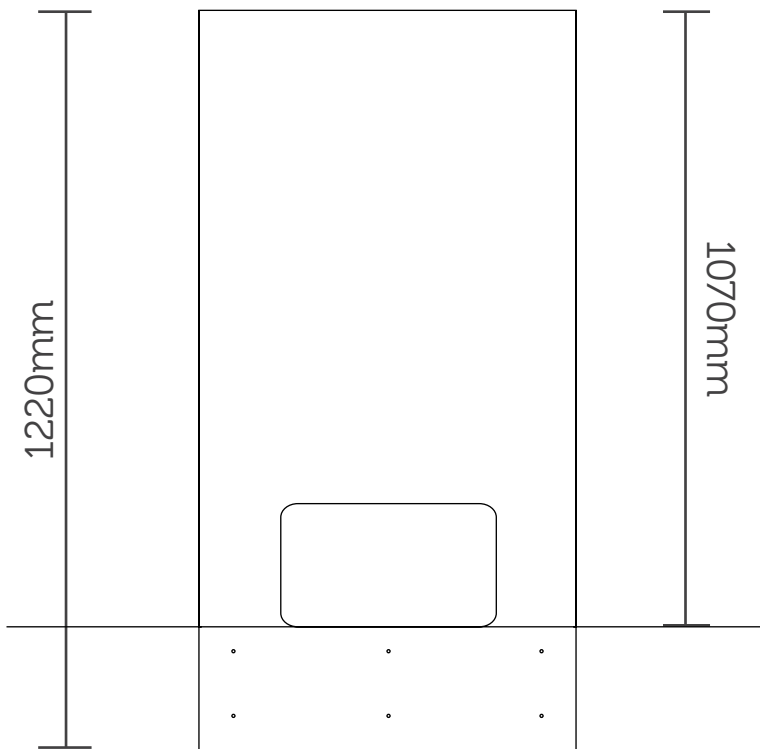
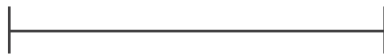
## NC-07 - Safety Screen Screw Fixed

Plan View



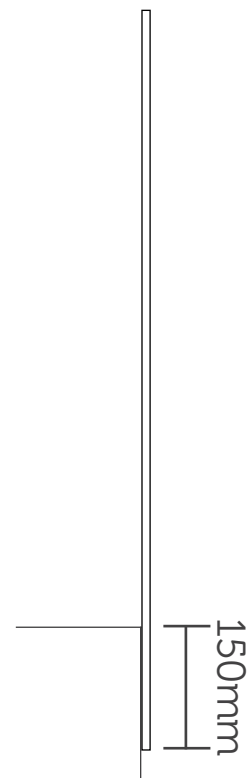
Front Elevation

600mm



Side Elevation

10mm



### NC-07- Safety Screen Fixed

Size: 600mm (w) x 1220mm (h) (1070mm visible)

Material: 10mm Clear Acrylic

Fixing: Screw fix to counter face

1 - 10 units - \$195.00 per unit

\*Supply Only  
Prices Excludes Shipping



together  

---

stronger